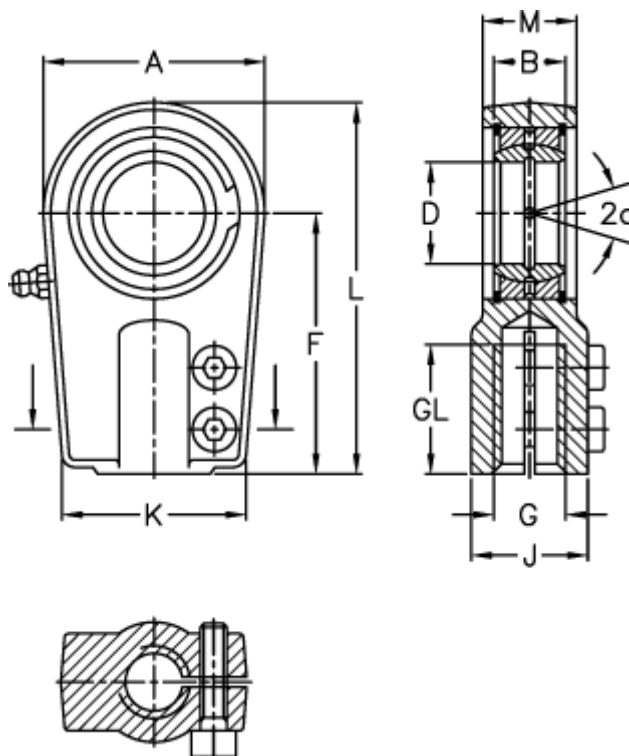


Article number: 03554030

Description: Fluro hydraulic rod end FMA 30D

Measures



A	= 64	J	= 34
a (degrees)	= 7	K	= 54
B	= 22	L	= 109
D	= 30	M	= 28
Dynamic load C (kN)	= 65.5	Static load C0 (kN)	= 96
F	= 75	Torque (N m)	= 20
g	= M24x2	Weight	= 1000
GL	= 35		